

JUKI®

MS-3580 Series

Feed-off-the-arm, 3-needle Double Chainstitch Machine



MS-3580SF1SN

MS-3580 Series

This machine demonstrates increased feed efficiency to handle extra heavy weight 16-ply denim. Engineered with extra feeding strength for seaming the inside of jeans.

MS-3580 Se

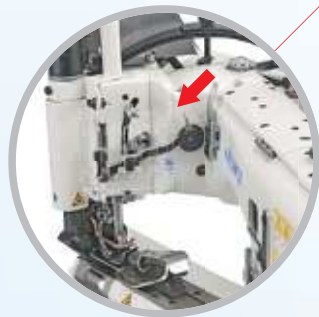
Feed-off-the-arm, 3-needle Double Chainstitch Machine

Smooth, efficient feeding of extra heavy weight 16-Ply, 14 oz denim for seaming inside seams.

◎ Strong feeding mechanism of the puller

The puller incorporates a one-way clutch mechanism which contributes to consistent feeding of the material.

(The mechanical part is protected by a cover for added safety.)



◎ Thread take-up device which helps produce even stitches with consistency

The feeding amount of needle thread is automatically adjusted to the pressure foot height during sewing, thereby producing even stitches with consistency.



◎ The machine has been designed to achieve the best possible ease of threading.

When the looper pushbutton (*) located on the operator side of the top of the machine head is pushed, the tip of the looper moves downward to allow the operator to thread the machine head with ease.



◎ The differential feed adjusting lever is located on the front face of the machine head.

The differential feed adjusting lever can be adjusted even during sewing, thereby effectively preventing cloth slippage between two plies.



◎The machine type without the differential feed capability



MS-3850SF0SN



MS-3580SF1SN

*Looper pushbutton

The machine is best suited for lap seaming jeans, denim jackets, work uniforms, etc. constructed of heavy weight materials.



The machine demonstrates increased efficiency of feed even when seaming a yoke part (16-layered) in hip seaming processes.



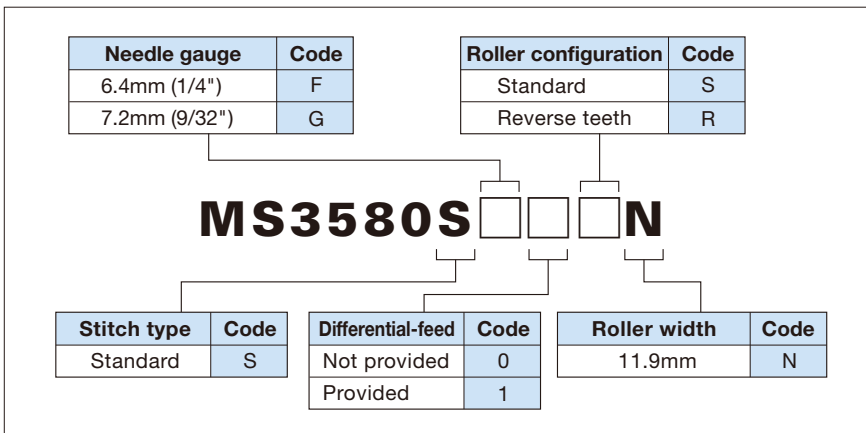
SUBCLASS									
Model No.	Materials	Number of needles	Needle gauge (mm)	Differential-feed		Top feed puller driving method	Top feed roller width (mm)	Roller configuration	Difference in height of the throat plate (mm)
				Provided	Not provided				
MS3580SF0SN	Medium- to heavy-weight materials (10~14oz)	3	6.4	●	●	Mechanical driving method	11.9	Steel teeth (standard) Parts No.40068568	2.38
MS3580SF1SN				●	●			Steel teeth (reverse teeth) Parts No.40077682	
MS3580SF0RN				●	●			Steel teeth (standard) Parts No.40068568	
MS3580SF1RN				●	●			Steel teeth (reverse teeth) Parts No.40077682	
MS3580SG0SN			7.2	●	●			Steel teeth (standard) Parts No.40068568	
MS3580SG1SN				●	●			Steel teeth (reverse teeth) Parts No.40077682	
MS3580SG0RN				●	●			Steel teeth (reverse teeth) Parts No.40077682	
MS3580SG1RN	●	●							

SPECIFICATIONS

Model name	MS-3580S*1SN	MS-3580S*0SN
Stitch type	3-needle, 6-thread, double chainstitch machine	
Application	For medium- to heavy-weight materials: jeans, denim jackets, work uniforms, etc.	
Max. sewing speed	4,500rpm	
Normal sewing speed	3,500rpm	
Needle gauge	6.4mm, 7.2mm	
Stitch length	2.1mm~3.6mm (standard 3.2mm)	
Needle (standard)	UY130GS (standard) /Nm140 (#22)	
Needle bar stroke	33mm	
Number of pieces of thread used	6	
Weight of the machine head	23.5kg	
Lift of the presser foot	Max. 9mm (at the time of delivery 6.5mm)	
Top feed roller width	11.9mm	
Feed adjusting method	Main feed: Slide-type stitch-length adjusting method	
	Differential feed: Lever adjusting method	Without the differential feed capability
Lubrication	Automatic rotary-pump type oiling	
Lubricating oil	JUKI MACHINE OIL No. 18	
Installation method	To be installed on the table by means of an auxiliary drive assembly MT03	

WHEN YOU PLACE ORDERS

Please note when placing orders, that the model name should be written as follows:



● To order, please contact your nearest JUKI distributor.

● Folder assembly

Various folder assemblies are available according to the properties and weight of the material to be used.

Description	Parts No.	Outlet dimension	Application
3/32" folder	40072322	2.4mm	Medium-weight materials
18-1/8" folder	40066942	3.2mm	Medium- to heavy-weight materials (standard)
5/32" folder	40072324	4.0mm	Extra heavy-weight materials
9-1/8" folder*	40072328	3.2mm	Medium- to heavy-weight materials

*Since the top of the folder is shorter than the standard one, the material can be handled with ease.

OPTIONS

● Auxiliary drive assembly MT03



★ To install the machine on the table, the auxiliary drive MT03 is required.

● Table stand JTMS5

Table stand for the MS-3580 (without casters)



★ This table stand is specifically designed for the SC-510. The M-51 motor should be used.

JUKI[®]
JUKI CORPORATION
MARKETING & SALES H.Q.

8-2-1, KOKURYO-CHO, CHOFU-SHI,
 TOKYO 182-8655, JAPAN
 PHONE : (81) 3-3480-2357, 2358
 FAX : (81) 3-3430-4909
<http://www.juki.com>

* Specifications and appearance are subject to change without prior notice for improvement.
 * Read the instruction manual before putting the machine into service to ensure safety.
 * This catalogue prints with environment-friendly soyink on recycle paper.



JUKI CORPORATION HEAD OFFICE
 Juki Corporation operates an environmental management system to promote and conduct the following as the company engages in the research, development, design, sales, distribution, and maintenance of industrial sewing machines, household sewing machines, industrial robots, etc., and in the provision of sales and maintenance services for data entry systems:
 ① The development of products and engineering processes that are safe to the environment
 ② Green procurement and green purchasing
 ③ Energy conservation (reduction in carbon-dioxide emissions)
 ④ Resource saving (reduction of papers purchased, etc.)
 ⑤ Reduction and recycling of waste
 ⑥ Improvement of logistics efficiency (modal shift and improvement of packaging, packing, etc.)