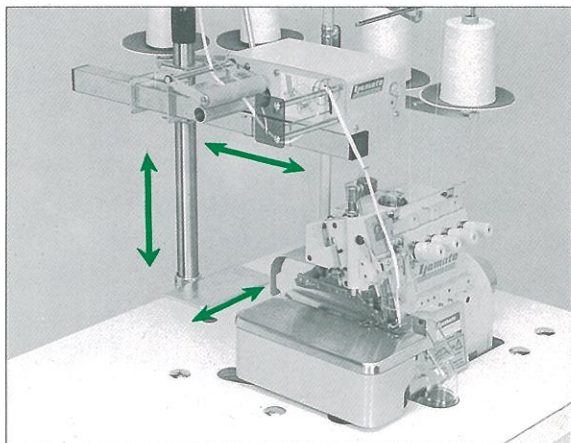


Yamato

AEF-31·32

COMPACT TYPE CLAMP SYSTEM AUTOMATIC TAPE FEEDER

Compact design and clamp type fitting enables to make easy re-location to any sewing head!!



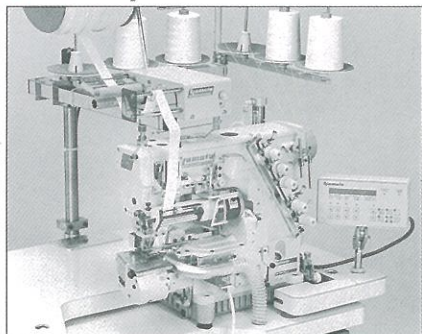
■ AEF-31

Compact Type Clamp System Automatic Tape Feeder

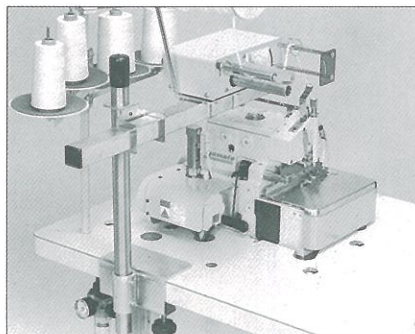
As the compact design and clamp type fitting, it enables to make easy re-location to/from table and corresponds to all kinds of machines by adjusting its height or position.

And also, tape-feeding amount can be adjusted freely by thumbscrew.

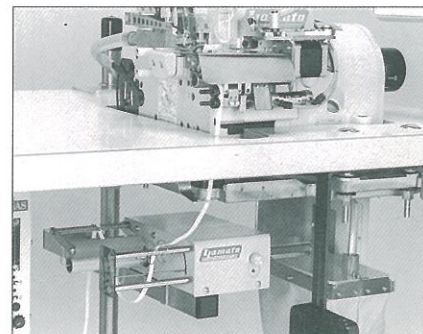
● Examples installation



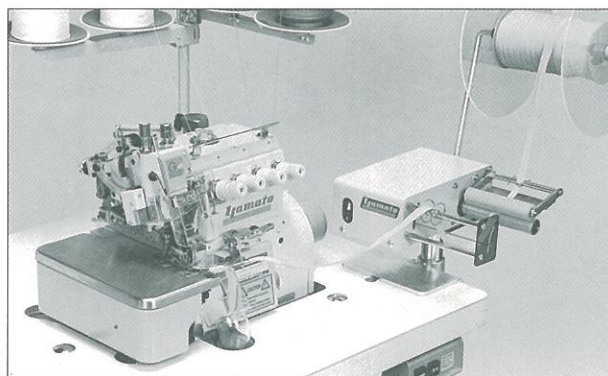
Installed with interlock stitch machine.



Installed with overlock machine.



Can be installed under the table top without changing any parts.



■ AEF-32

Same functions with AEF-31 except for piping tape with fitting it on the right side of table.

● Specifications

	AEF-31	AEF-32
Tape width	100mm (max.)	
Height	7cm - 40cm	10cm - 16cm
Amount of back and forth movement	30cm	sliding is not available
Width of clamp	20mm - 55mm (same as the thickness of table top)	
Power supply	free voltage, 100V - 380V	
Weight	3.42kg	

*Specifications and appearance on this catalog are subject to change without notice.
For correct handling of products described on this catalog, please read the instructions carefully before operation.



YAMATO SEWING MACHINE MFG. CO., LTD.

HEAD OFFICE

4-12, 4-CHOME, NISHI-TENMA, KITA-KU,
OSAKA, 530-0047, JAPAN
TEL: +81-6-6364-5621 FAX: +81-6-6364-7185
E-mail: export-dept@yamato-sewing.com

YAMATO U.S.A. INC. (Head Office)
3485 LAKEMONT BLVD, FORT MILL, SC
29715 U.S.A.
Tel: +1-803-548-0334 Fax: +1-803-548-0405

YAMATO MEXICO OFFICE
C/O CASA DIAZ DE MAQUINAS DE COSER, S.A. DE C.V.
FRAY SARVANDO TERESA DE MIER NO. 29,
COLONIA OBRERA MEXICO D.F. C.P. 069000
Tel: +52-55-5764-9090 Fax: +52-55-5578-1470

YAMATO EUROPE GmbH.
HAMBURG-FREEPORT AFRIKASTRASSE
4 D-20457 HAMBURG GERMANY
Tel: +49-40-355347-0 Fax: +49-40-354371
E-mail: sales@yamato.de

YAMATO (HONG KONG) CO., LTD.
RM. 1417, TUNG YING BLDG., 100 NATHAN ROAD,
KOWLOON, HONG KONG
Tel: +852-2721-0251 Fax: +852-2723-0444
E-mail: yamato@yamato-sewing.com.hk

YAMATO SINGAPORE PTE. LTD.
6 HARPER ROAD #03-01, LEONG HUAT BLDG.,
SINGAPORE 369674
Tel: +65-287-1955 Fax: 65-287-1028
E-mail: yamato@cyberway.com.sg

YAMATO SINGAPORE PTE. LTD. India liaison office
NO.7, VALAYANKADU MAIN ROAD, K.P. LAYOUT, P.P. R.K.G. COMPLEX,
KUMAR NAGAR, TIRUPUR 641902 INDIA
Sales-HP: +91-98430-60310, Service-HP: +91-98422-58584
Fax: +91-422-388-107
E-mail: yamatoadp@rediffmail.com

YAMATO SEWING MACHINE (NINGBO) CO., LTD.
WEST HENGSHAN RD. BEILUN, NINGBO, ZHEJIANG PROVINCE,
P.C. 315800 CHINA
Tel: +86-574-8680088, 8680058
Fax: +86-574-86877926, 86800555
E-mail: yamato-china@yamato-sewing.com

YAMATO SEWING MACHINE MFG. CO., LTD. QINGDAO OFFICE
SUNSHINE TOWER 2807, 61, XIANG GANG ROAD,
QINGDAO, CHINA, ZIP 266071
Tel: +86-532-5783175 Fax: +86-532-5783172